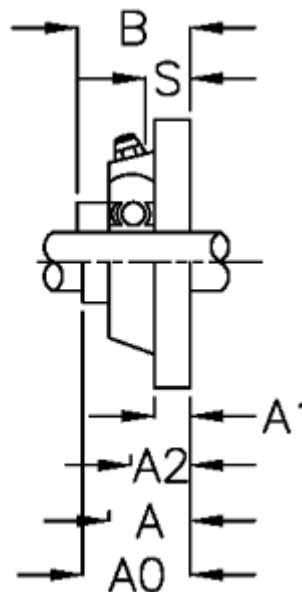
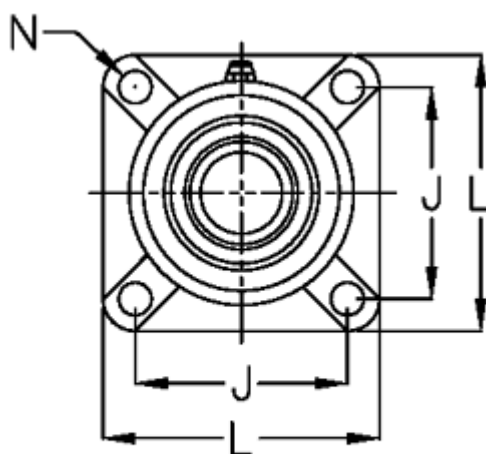


Article number: 57250180321

Description: NSK Square flange unit UCF321D1

Measures



A	= 94	N	= 38
A0	= 127	S	= 44
A1	= 32	Shaft	= 105
A2	= 59		
B	= 112		
Bolt size	= M33		
J	= 242		
L	= 310		